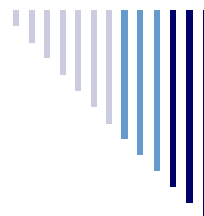
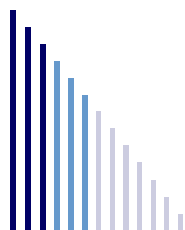


**Building Hardware
Lever handle & Knob
Req. test methods**

**BS EN
1906:2002**

4.1.1	General	:	EN1906 shall be classified to the eight digit coding system described 4.1.2 to 4.1.9
4.1.2	Category of use	:	1 to 4 = medium to high frequency
4.1.3	Durability	:	6 = 0.1M, 7 = 0.2M cycles
4.1.4	Door mass	:	no classification
4.1.5	Fire resistance	:	0 = not approved , 1 = suitable for use on fire/ smoke door
4.1.6	Safety	:	0 = normal use, 1 = Safety use
4.1.7	Corrosion resistance	:	0 = no defined, 4 = very high resistance
4.1.8	Security	:	0 = not approved , 4 = extra high burglary resistance
4.1.9	Type of operation	:	A=spring assisted, b = spring-load, U = unsprung furniture

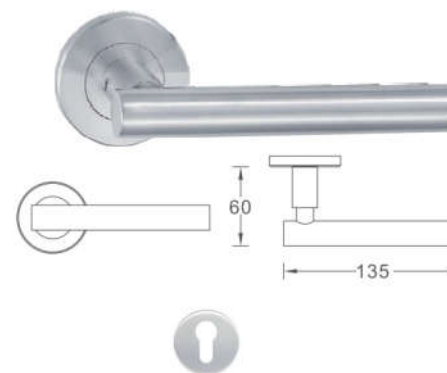
Your Partner in Professional Door Hardware



**Stainless steel
Lever handle on
rosette**



MODEL: M01-SD019/GT01-SS



Marco Polo Stainless Steel Lever Handle on Rosette

SPECIFICATION

Materials : Grade 304 / 316

Handle Diameter : Grade 304— 19/22

Rosette Thickness : Grade 304—8mm

Spindle : 8mm square spindle

Option: half / split type

Door Thickness : 35-55mm

Lever Nr.	Escutcheon Nr.	Mat. & Finish
SD019	/ GT01	- SS