

MARCO POLO ARCHITECTURAL HARDWARE

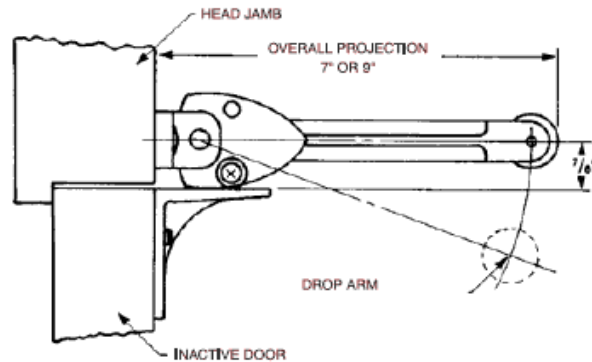
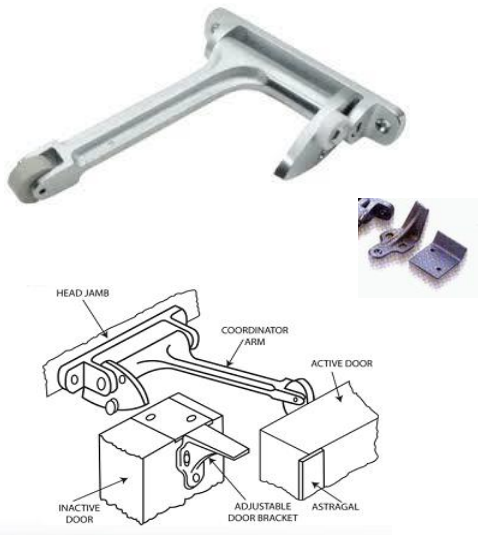
DOOR COORDINATORS

M01-DORCO-2-FIN

M01-DORCO-3-FIN



GRAVITY ACTION ARM DOOR COORDINATORS ARE DESIGNED FOR PREVENTING ACTIVE DOOR CLOSING BEFORE THE INACTIVE DOOR, USED ON DOUBLE LEAVES DOOR.



MODEL	MATERIAL	PROJECTION
M01-DORCO2-	FORGED BRASS	6-1/2" 165MM
M01-DORCO3-	FORGED BRASS	8-1/2" 216MM

FINISH STANDARD US26D / US3, US5, US10B

Feature

BHMA4.1.1 TYPE 211 ANSI 156.3

UL 10B/10C LISTED SUIT FOR 3 HOURS FIRE RATED DOOR

TO BE USED WITH AUTOMATIC FLUSH BOLT FOR FULLY AUTOMATIC LOCKING

NYLON ROLLER OR SHORT ARM GLIDES SMOOTHLY OVER DOOR BRACKET AND STRIKE FOR SILENT OPERATION

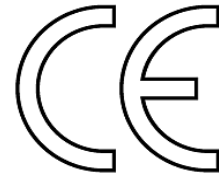
Door co-ordinator devices to BS EN 1158

M01-MK1-SA M01-MK2-SA



"Easy to install, this is an innovative product that works well and looks smart on any set of double doors"

"The Selectrite MK2 door co-ordinator/selector ensures that our building meets all the fire regulations and more importantly, ensures the safety of our visitors"



BS EN1158 - Door Coordinator Device (Door Selectors)

The standard provides detailson product types, classification by use, test cycle, door mass, corrosion resistance, as well as definitions, product performance requiremment, test apparatus, test methods and marking of products. In addition, the published standard includes annexes illustrating the various points made through diagrams and supplementary text.



Door coordinator size	Test door leaf mass kg	Recommended door leaf width max. mm	Distance between hinge centrelines max. mm
3	60	950	1900
4	80	1100	2200
5	100	1250	2500
6	120	1400	2800
7	160	1600	3200

• EXAMPLE:

The following marking denotes a door coordinator device suitable for a range of door closer power sizes from 4 to 6, for use on fire doors and with moderate resistance to corrosion.



MK1 - NON-FIRE RATED DOOR COORDINATOR

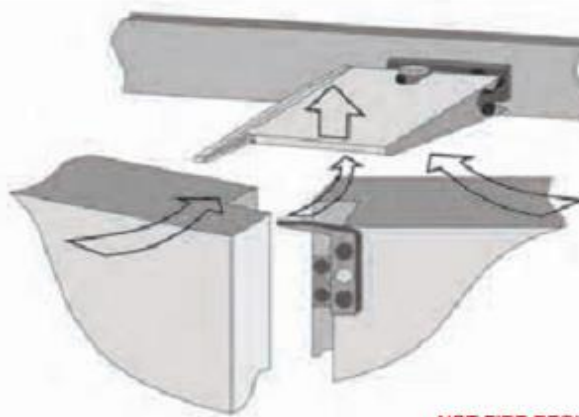
Product classification: **351010**
European Standard number: BS EN 1158:1997



The MK1 Door Selector will enable a pair of self closing doors with or without rebated meeting stiles to close in the correct sequence irrespective of which door closes first.

Please note that our MK1 door selector is **NOT FIRE REGULATED** and comes with a tubular rebate catch which is built into the door frame.

Although the MK1 door selector is harmonised by the same European Standard Number as our MK2 door selector, the European standard is intended for use on both non-fire rated doors and fire doors. If the product is not intended for the self closing of fire doors, CE marking is not applicable.



NOT FIRE REGULATED

All MK1 door selectors come fitted with:

- standard 102 adjuster arm
- tubular rebate (for standard double doors)
- lift arm
- impact plates and fixing screws
- full fixing instructions.

It is also available with a 152mm or 202mm arm for thicker or wider doors.



Our MK1 product is available in the following finishes:

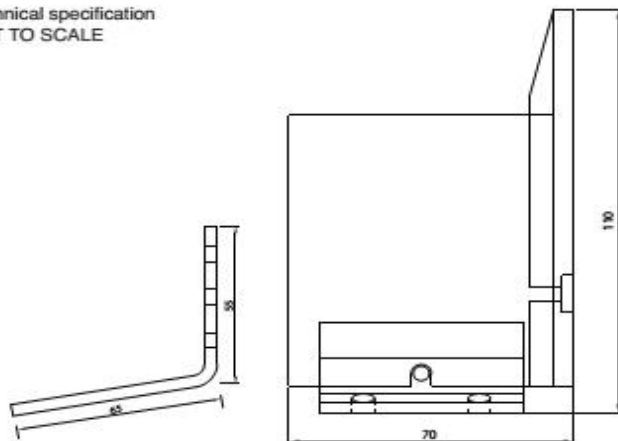
- Satin Stainless Steel Effect
- Silver Anodised Aluminium
- Brass Effect
- Black Anodised Aluminium
- Gold Anodised Aluminium
- Polished Chrome Effect

Other paint finishes are available upon request to standard RAL colours.

Benefits

- Ex-stock delivery not including special finishes
- International delivery available
- Highest quality product
- Easy to fit – full instructions and fixings provided
- Effective and attractive
- British design and manufacture
- Suitable for up to 25mm rebated door

Technical specification
NOT TO SCALE



MK2 - CE CERTIFIED PRODCUTS

Product classification: **351113**
 European Standard number: BS EN 1158:1997

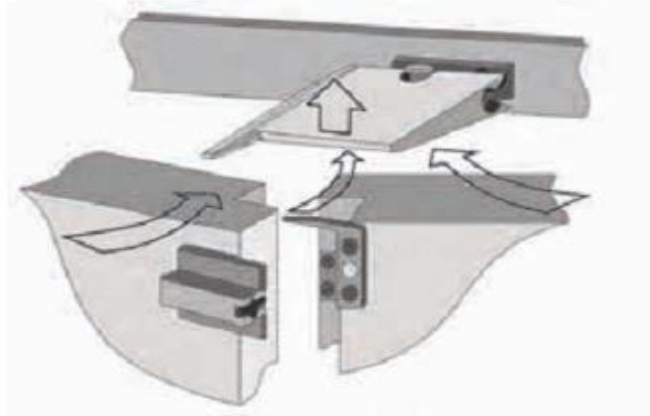


Our MK2 Fire Door Selector/Co-Ordinator is in line with the new CPR's Regulation, that states all construction products that are regulated by a harmonised European standard, must be CE marked. In essence any door selectors/co-ordinators that are for fire door sets **MUST** be CE marked.

The MK2 Fire Door Selector will enable a pair of self closing doors with or without rebated meeting stiles to close in the correct sequence, irrespective of which door is opened first, maintaining the doors fire resistant seal.

To keep up to date with all regulations our MK2 Fire Door Selector is independently tested to:

- BS EN 1158:1997 + A1:2002
- CE Marked



All MK2 Door Selectors come with:

- standard 102 adjuster arm
- standard fire regulated rebate catch
- lift arm
- impact plates and fixing screws
- full fixing instructions

It is also available with a 152mm or 202mm arm and extended rebate for thicker or wider doors.

Our MK2 product is available in the following finishes:

- Satin Stainless Steel Effect
- Silver Anodised Aluminium
- Brass Effect
- Black Anodised Aluminium
- Gold Anodised Aluminium
- Polished Chrome Effect

Other paint finishes are available upon request to standard RAL colours.

Benefits:

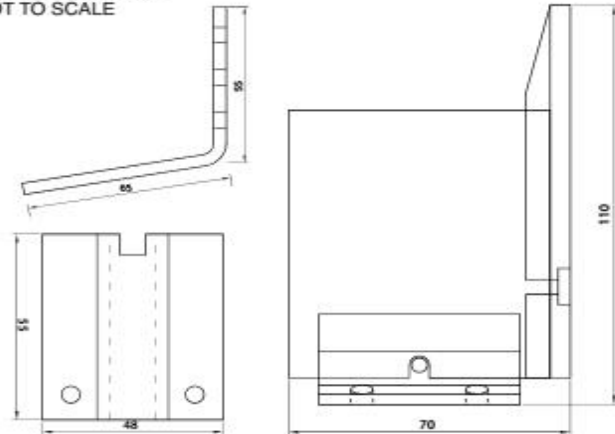
- Fully CE Marked with DoP available
- British design and manufacture
- Ex-stock delivery not including special finishes
- International delivery available
- Highest quality product
- Easy to fit - full instructions and fixings provided
- Effective and attractive
- Suitable for up to 25mm rebated door

REGISTERED DESIGN NUMBER:
 4027849

REGISTERED COMMUNITY DESIGN
 NUMBER: 002201699-0001



Technical specification
 NOT TO SCALE

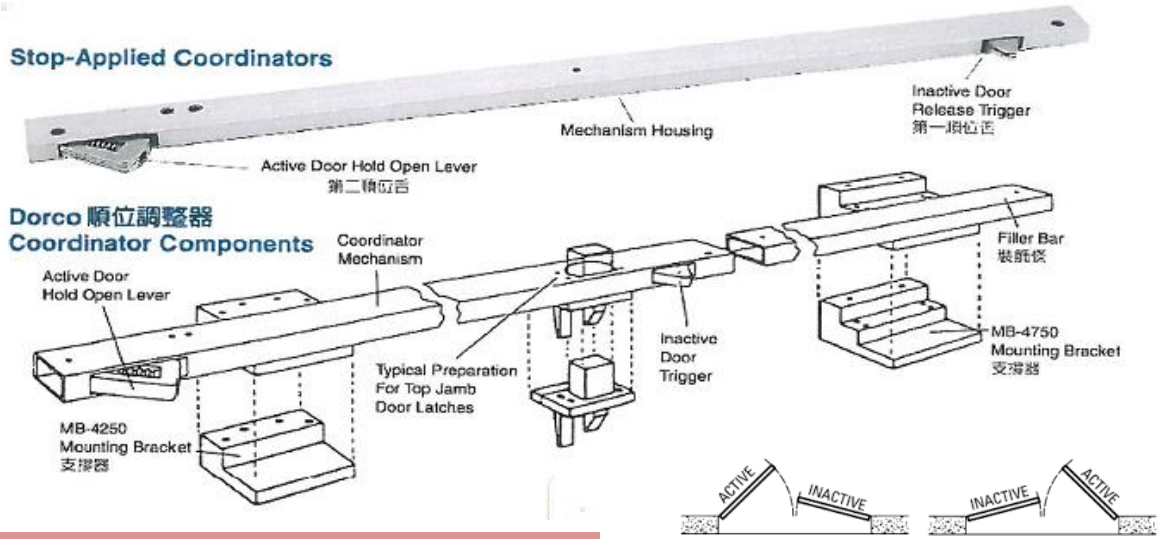


DOOR COORDINATORS

CONCEALED SURFACE MOUNTED

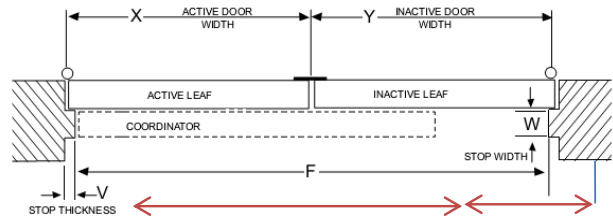


Stop-Applied Coordinators



HOW TO SPECIFY THE LENGTH OF DORCO1

1. Start with the active door size (X).
2. Next consider the overall frame opening between stops (F).
3. Preferably, the coordinator would equal the active door width (X) + approximately 1/2 inactive door width (Y). Keep in mind the coordinator must be 6" longer than the active door width (X) and less than the overall frame opening between stop (F).

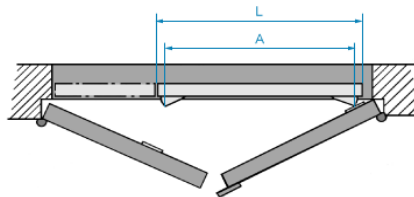


EXAMPLE A - DORCO1-42

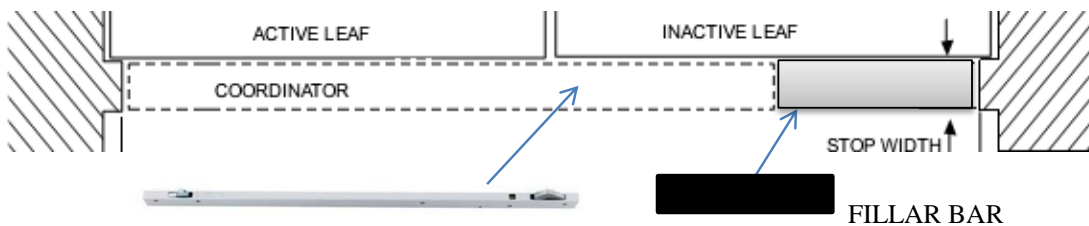
- Pair of 30" Doors, 5/8" Stops
- Active Door Size, X = 30"
- Overall Frame Opening between Stops, F = 58-3/4"

EXAMPLE B - DORCO1-52

- Pair of 36" Doors, 5/8" Stops
- Active Door Size, X = 36"
- Overall Frame Opening between Stops, F = 70-3/4"



FILLAR BAR



MARCO POLO ARCHITECTURAL HARDWARE

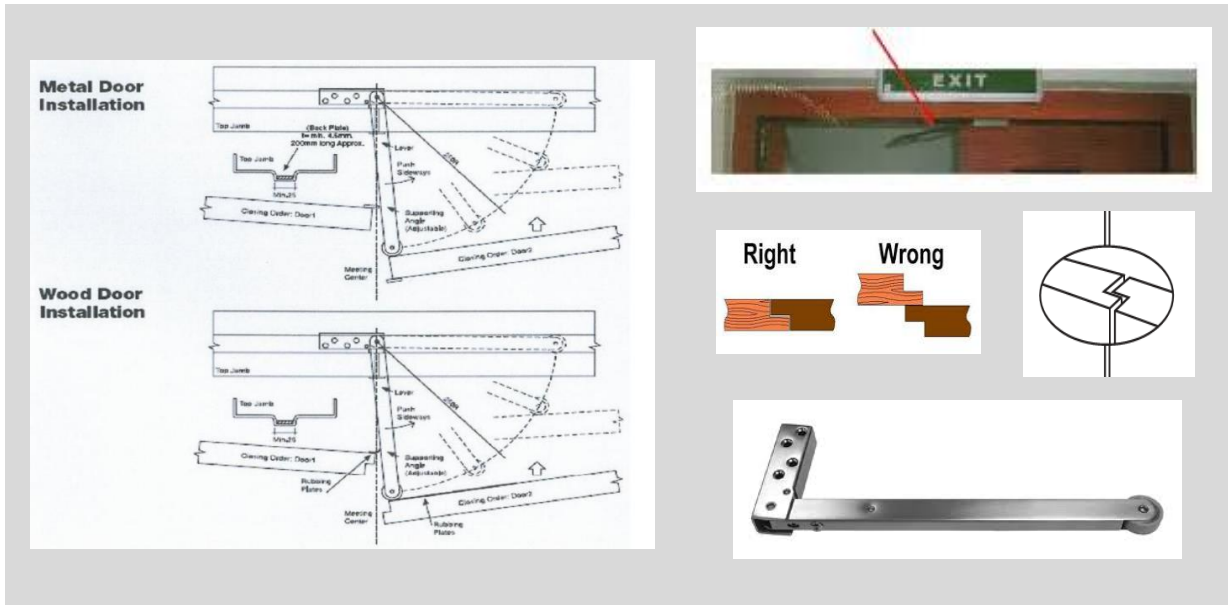
DOOR COORDINATORS / SELECTORS



M01-D70-SS

STAINLESS STEEL LIGHT DUTY INVISIBLE DOOR COORDINATOR WITH 250/280 MM LENGTH

Door coordinator is essential hardware for door consecutive closing on double leaves door. Most of the fire rated or exit doors are requested self closing / locking. Marco Polo door coordinator is designed, for double leaves rebated door, to hold the active rebated door leaf as to avoid the rebated door overlapping.



MADE OF CORROSION RESISTANCE MATERIAL SUS304

PURPOSE OF DOOR COORDINATOR / SELECTOR

DOOR COORDINATOR / SELECTOR IS DESIGNED TO BE FITTED TO A SET OF REBATED DOOR FOR CONSECUTIVE CLOSING. THE IDEAL IS STOP THE ACTIVE LEAF CLOSING PRIOR TO THE INACTIVE LEAF DOOR AS TO AVOID DOOR OVERLAPPING. IN ORDER TO LET ALL FIRE RATED DOORS ARE KEPT CLOSED TO PREVENT THE FIRE / SMOKE SPREAD OUT.

