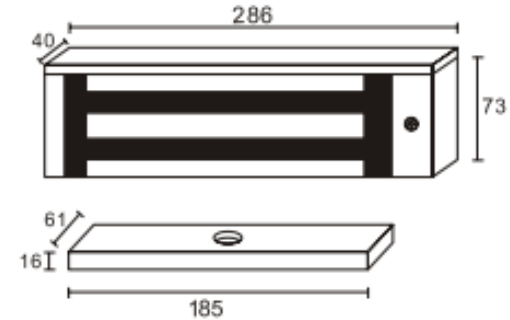


**MP-564**

# Electromagnetic Lock



"Marco Polo" electronic access control system contains reliable electromagnetic locks, electric strikes, electric drop bolts, electronic power supply and key pads etc.. Supplemented with abundant accessories such as various brackets for emlock or drop bolts cater for different applications, design or material of doors.



Surface mount ( 1,500 lbs. )

Electromagnetic lock for Single leaf door

## SPECIFICATION

- Magnet : 286L x 73H x 40Dmm
- Armature plate : 185L x 61w x 16Tmm
- Current draw : 500mA/12V, 250mA/24V
- Dual Voltage : 12V/24VDC
- Holding Force : 1,500 lbs.

Built-in voltage spike suppressor

Led ( L ) Timer ( T ) Lock status sensor LSM, Door status sensor DSM

## MANILA CAPITCO CORPORATION

Unit 6B / 2nd Floor DOLMAR Building United Nation Avenue,  
Paco Manila, Metro Manila, Philippines

Telephone: 02.533.3072 or 353.6302

Telefax: 02.353.6301