

M01-SLA041



Concealed mounted sliding door system

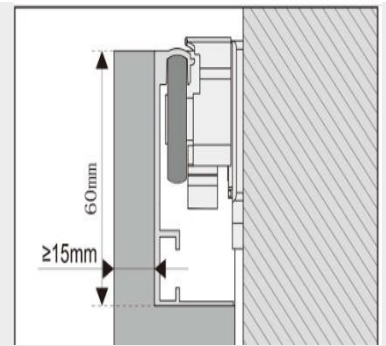
The sliding wood doors in residential homes has become popular for saving space, concealed mounted looks tidy as a decorative wooden panel.

You can adjust the hanger without removing the door. And the structure accommodates doors measuring 31 to 71 inches, and the tracks can be cut to custom door measurements.

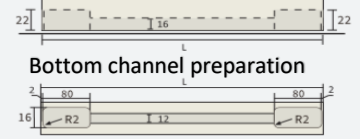
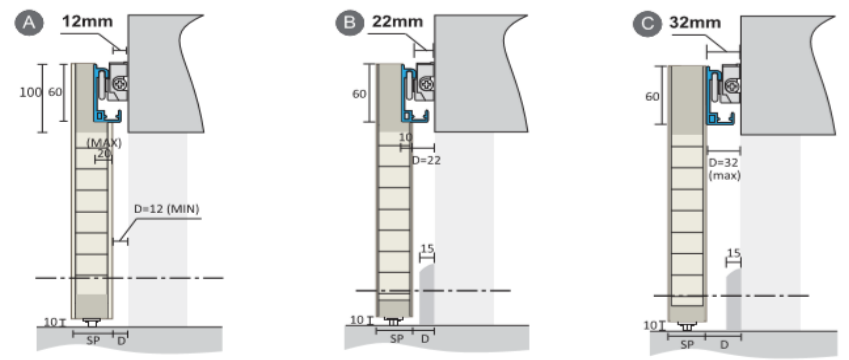
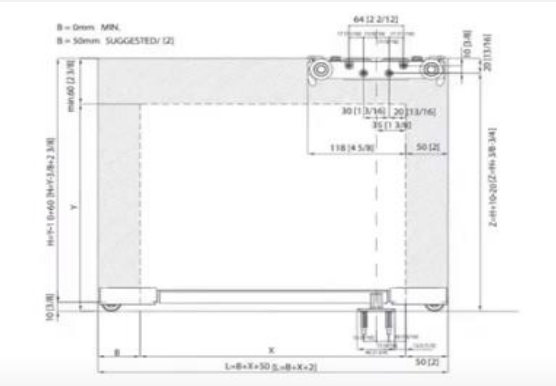
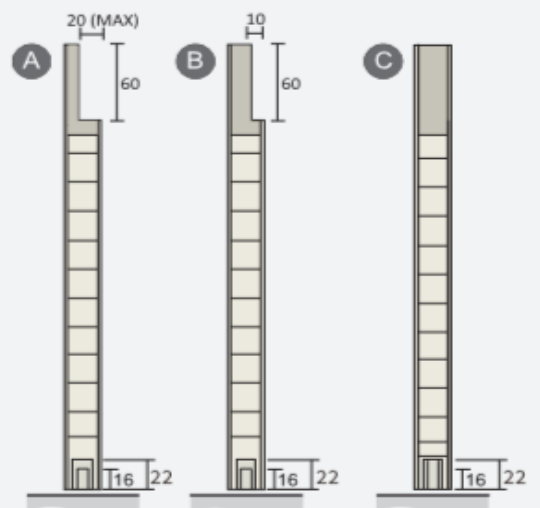
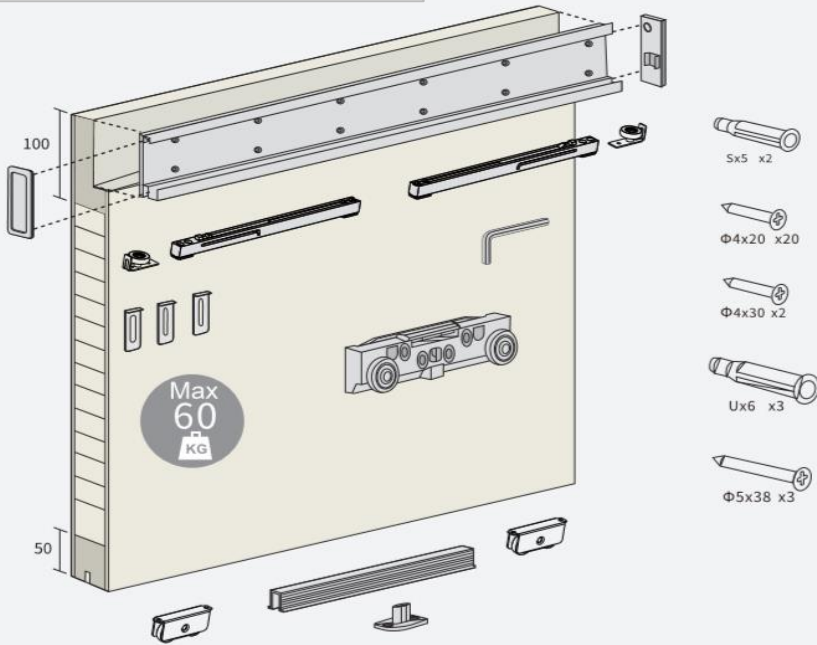
The upper hanger features nylon wheels and steel ball bearings, which work fantastically, allowing the door panels to slide quietly.

1-1/16" and 1-9/16" clearance exists between the wall and door panels.





Each set consists with:



Door Installation / Top , Bottom and Final procedure

- T1 Measure the length of track and cut to required length
- T2 Put the track on the slab and pre-drill is crucial before screwing the track.
- T3 Insert the soft closing device and stopper into the track and fixed by allen screw.
- T4 Put the edge plate to cover the track.

- B1 Mark the center line on the thickness of door and predrill a "U" channel at the bottom of door.
- B2 Install the L/R side rollers and insert the PVC "U" channel into the door slab.
- B3 Check the opening size of door and determine the opening direction

- F1 Check the level and install the wall mounted roller, put it on the opening side.
- F2 Measure the distance from the wall to the door guide.
- F3 To make the proper gap between the wall and door slab then fix the floor mounted door guide.
- F4 Hang the door slab on the wall rollers and bottom guide to complete the installation

