

MK2 - DOOR COORDINATOR (DOOR SELECTOR) EN 1158



Product classification: **351113**
European Standard number: BS EN 1158:1997

Our MK2 Fire Door Selector/Co-Ordinator is in line with the new CPR's Regulation, that states all construction products that are regulated by a harmonised European standard, must be CE marked. In essence any door selectors/co-ordinators that are for fire door sets **MUST** be CE marked.

The MK2 Fire Door Selector will enable a pair of self closing doors with or without rebated meeting stiles to close in the correct sequence, irrespective of which door is opened first, maintaining the doors fire resistant seal.

To keep up to date with all regulations our MK2 Fire Door Selector is independently tested to:

- BS EN 1158:1997 + A1:2002
- CE Marked
- Our DoP is available online at www.selectritehardware.com/dop

All MK2 Door Selectors come with:

- standard 102 adjuster arm
- standard fire regulated rebate catch

- impact plates and fixing screws
- full fixing instructions

It is also available with a 152mm or 202mm arm and extended rebate for thicker or wider doors.

Our MK2 product is available in the following finishes:

- Satin Stainless Steel Effect
- Silver Anodised Aluminium
- Brass Effect
- Black Anodised Aluminium
- Gold Anodised Aluminium
- Polished Chrome Effect

Other paint finishes are available upon request to standard RAL colours.

Benefits:

- Fully CE Marked with DoP available
- British design and manufacture
- Ex-stock delivery not including special finishes
- International delivery available
- Highest quality product
- Easy to fit – full instructions and fixings provided
- Effective and attractive
- Suitable for up to 25mm rebated door

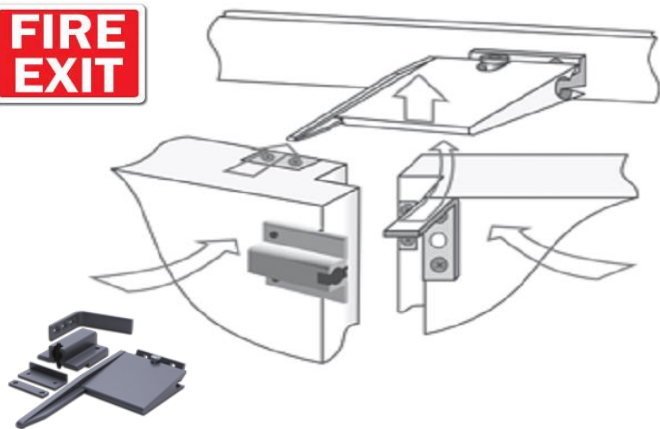
REGISTERED DESIGN NUMBER:

4027849

REGISTERED COMMUNITY DESIGN

NUMBER: 002201699-0001

UL & CE CERTIFIED PRODCUTS



Technical specification
NOT TO SCALE

